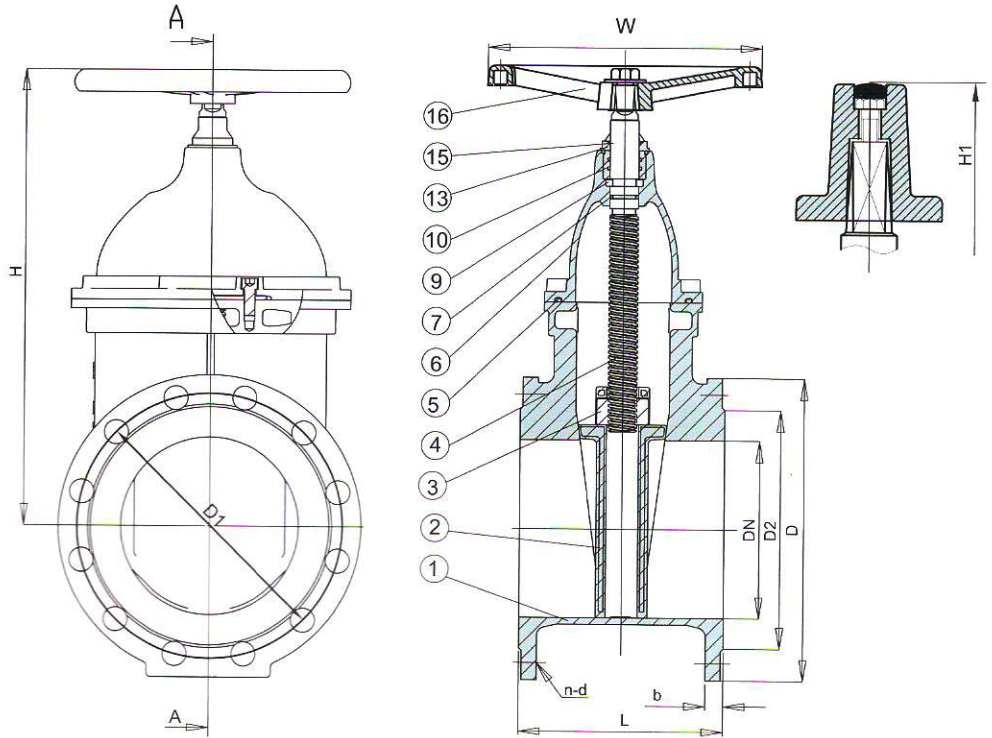


Fig. Z4714B

RESILIENT SEATED GATE VALVE



DIN3352 F4 Non-Rising Stem Resilient Seated Gate Valve Type B



Features

- Replaceable O-ring
- Low torque operation
- Rubber encapsulated wedge
- Clockwise closing direction
- Fusion bonded epoxy coated Inside and outside
- Product color: Blue RAL 5017
- Maximum temperature 80°C

Technical Specification

- Design: DIN 3352
- Face to Face : DIN3202 F4
- Flanges: EN 1092-2 PN16
- Hydraulic test to ISO 5208
Seat Test Pressure: 17.6 bar
Shell Test Pressure: 24 bar
Operating torque test

Optional Extras:

- Stem Cap
- Position Indicator
- Extension Spindle / T Key

Artwork on valve body:

DN50	
PN16	
GGG50	
One Side Other Side	

▲ MATERIAL SPECIFICATION

Item	Part Name	Material	Item	Part Name	Material
1	Body	GGG50	5	Bonnet Gasket	EPDM/NBR
2	Wedge	GGG50+EPDM	6	Bonnet	GGG50
		GGG50+NBR	7	Back Sealing O Ring	EPDM/NBR
3	Wedge Nut	Brass	10	O-Ring	EPDM/NBR
4	Stem	AISI 420	13	Stuffing Nut	Brass

▲ DIMENTIONS(mm)

Size	L	D	D1	D2	b	n-d	H	H1	W	W.T(kg)
DN40	140	150	110	84	19	4-19	240	310	160	9
DN50	150	165	125	99	19	4-19	250	320	160	11
DN60	170	175	135	108	19	4-19	265	335	180	14
DN65	170	185	145	118	19	4-19	265	335	180	14
DN80	180	200	160	132	19	8-19	300	370	200	17
DN100	190	220	180	156	19	8-19	350	420	200	21
DN125	200	250	210	184	19	8-19	410	480	220	29
DN150	210	285	240	211	19	8-23	450	520	250	38
DN200	230	340	295	266	20	12-23	550	620	280	58
DN250	250	405	355	319	22	12-28	650	720	320	90
DN300	270	460	410	370	24.5	12-28	710	780	350	120