

Swing check valve Brass Screwed

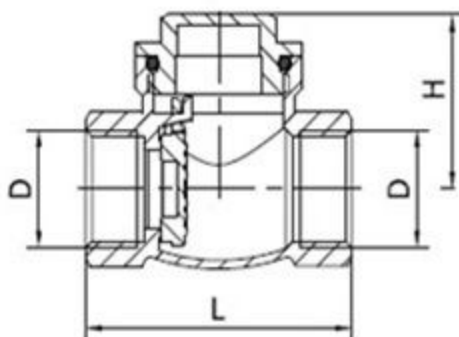
MODEL : STA41147



NO.	COMPONENT	MATERIAL
1	Body	Brass
2	Wedge Disc	Brass
3	Pin	Brass
4	Bonnet	Brass

Prime Out-form Dimensions:

2"	G $\frac{3}{4}$ "	59.5	90
1 1/2"	G $\frac{1}{2}$ "	58	83
1 1/4"	G $\frac{3}{4}$ "	49.7	77
1"	G $\frac{1}{2}$ "	39	62
3/4"	G $\frac{3}{4}$ "	34	58
1/2"	G $\frac{1}{2}$ "	31	49.6
Specification	D	H	L



1. Nominal Pressure : 200 Psi. W.O.G (1.6 MPA)
2. Suitable Medium : Water, Seawater, Non-causticity
Liquid, Saturated steam
3. Working temperature : $\leq 100^{\circ}\text{C}$
4. Thread : BS 21
5. Pressure Testing : ISO5208