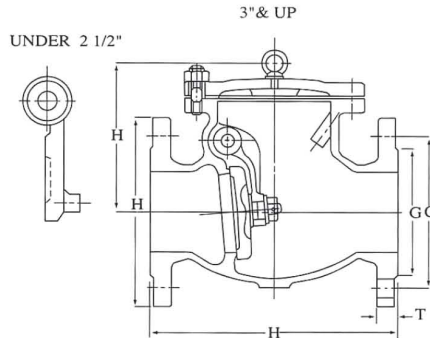
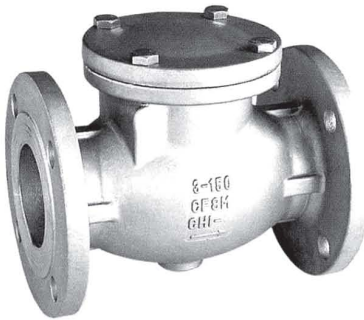


BT-FCK

Size : 1/2" - 12"



TEST PRESSURE

| | |
|------------------|----------------------------------|
| SHELL (BY WATER) | 450 PSI 32kgf/cm ² |
| SEAT | BY 315PSI |
| | WATER 22kgf/cm ² |
| | BY 80PSI |
| AIR | 6kgf/cm ² |

APPLICATIONS

- * FACE TO FACE DIMENSIONS: JIS B2002/ ANSI B16.10
- * END FLANGE DIMENSIONS: JIS B2210/ANSI B16.5RF
- * DESIGN: ANSI B16.34/API603
- * TESTING: API598

SWING CHECK VALVE

10K/150LBS FLANGE END

STAINLESS STEEL/CARBON STEEL

DIMENSIONS

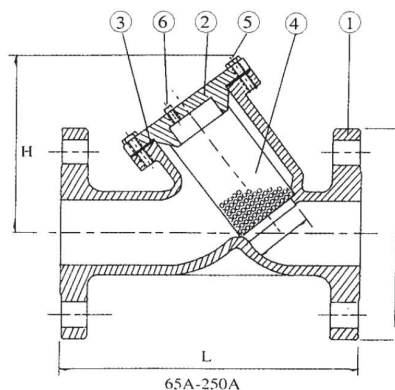
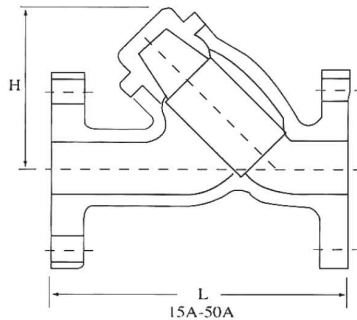
| SIZE | L | H | D | | C | | G | | T | | |
|--------|-----|-----|-----|-----|-----|-----|-------|-----|-----|-----|------|
| | | | 10K | 150 | 10K | 150 | 10K | 150 | 10K | 150 | |
| 1/2" | 15 | 112 | 65 | 95 | 89 | 70 | 60.5 | 52 | 35 | 12 | 11.1 |
| 3/4" | 20 | 125 | 70 | 100 | 98 | 75 | 70 | 58 | 43 | 14 | 11.1 |
| 1" | 25 | 135 | 75 | 125 | 108 | 90 | 79.5 | 70 | 51 | 14 | 11.1 |
| 1 1/2" | 40 | 165 | 107 | 140 | 127 | 105 | 98.5 | 85 | 73 | 16 | 14.3 |
| 2" | 50 | 203 | 120 | 155 | 152 | 120 | 120.5 | 100 | 92 | 16 | 15.9 |
| 2 1/2" | 65 | 216 | 135 | 175 | 178 | 140 | 139.5 | 120 | 105 | 18 | 17.5 |
| 3" | 80 | 241 | 147 | 185 | 190 | 150 | 152.5 | 130 | 127 | 18 | 19.1 |
| 4" | 100 | 292 | 169 | 210 | 229 | 175 | 190.5 | 155 | 157 | 18 | 23.9 |
| 5" | 125 | 330 | 190 | 250 | 254 | 210 | 216 | 185 | 186 | 20 | 23.9 |
| 6" | 150 | 356 | 213 | 280 | 279 | 240 | 241.5 | 215 | 216 | 22 | 25.4 |
| 8" | 200 | 495 | 253 | 330 | 343 | 290 | 298.5 | 265 | 270 | 22 | 28.6 |
| 10" | 250 | 622 | 279 | 400 | 406 | 355 | 362 | 325 | 324 | 24 | 30.2 |
| 12" | 300 | 698 | 312 | 445 | 483 | 400 | 432 | 370 | 381 | 24 | 31.8 |

MATERIAL LIST

| PART NAME | MATERIALS | | |
|----------------|----------------------|-------------|--------|
| BODY | WCB | SCS13 | SCS14 |
| | WCB | CF8 | CF8M |
| COVER | WCB | SCS13 | SCS14 |
| | WCB | CF8 | CF8M |
| DISC | WCB | SUS304 | SUS316 |
| DISC RING | SUS304 | SUS304 | SUS316 |
| DISC NUT | F6 | SUS304 | SUS316 |
| SEAT RING | SUS304 | SUS304 | SUS316 |
| COVER BOLT/NUT | B7 | ASTM 194-B8 | |
| ARM | WCB | SUS304 | SUS316 |
| GASKET | PTFE(OR NO ASBESTOS) | | |
| PLUG | A105 | SUS304 | SUS316 |

BT-FYS

Size : 1/2" - 10"



Y-STRAINER 10K/150LBS

FULL PORT, FLANGE END

CAST IRON/WCB/CF8/CF8M

MATERIAL LIST

| NO | PART NAME | CAST IRON | CAST STEEL | SUS 304 | SUS 316 |
|----|------------|-----------|------------|----------|-----------|
| 1 | BODY | A126-CL.B | A126-WCB | A351-CF8 | A351-CF8M |
| 2 | COVER | CAST IRON | A126-WCB | A351-CF8 | A351-CF8M |
| 3 | GASKET | ASBESTOS | ASBESTOS | PTFE | PTFE |
| 4 | SCREEN | AISI 304 | AISI 304 | AISI 304 | AISI 316 |
| 5 | BOLT & NUT | SS 41 | SS 41 | AISI 304 | AISI 304 |
| 6 | DRAIN PLUG | CAST IRON | CAST IRON | AISI 304 | AISI 316 |

DIMENSIONS LIST ANSI-150LBS

| SIZE | | D | L | H | KGS |
|------|--------|-----|-----|-----|------|
| MM | INCH | | | | |
| 15 | 1/2" | 95 | 125 | 63 | 1.5 |
| 20 | 3/4" | 100 | 140 | 68 | 2 |
| 25 | 1" | 125 | 190 | 77 | 3.5 |
| 32 | 1-1/4" | 135 | 185 | 114 | 5 |
| 40 | 1-1/2" | 140 | 190 | 115 | 6 |
| 50 | 2" | 155 | 220 | 125 | 8.5 |
| 65 | 2-1/2" | 175 | 270 | 188 | 14.5 |
| 80 | 3" | 185 | 290 | 200 | 17.6 |
| 100 | 4" | 210 | 350 | 240 | 26 |
| 125 | 5" | 250 | 392 | 250 | 35 |
| 150 | 6" | 280 | 440 | 300 | 50 |
| 200 | 8" | 330 | 540 | 410 | 100 |
| 250 | 10" | 400 | 640 | 475 | 147 |