

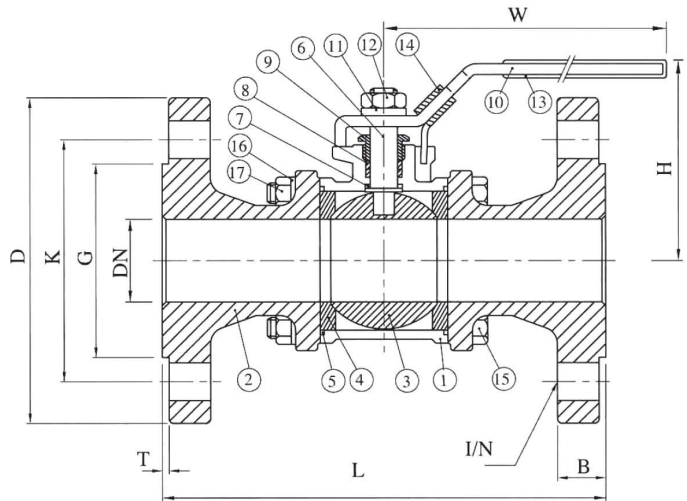
BT-F311 type

Size : 1/2" - 4"

FLANGED END



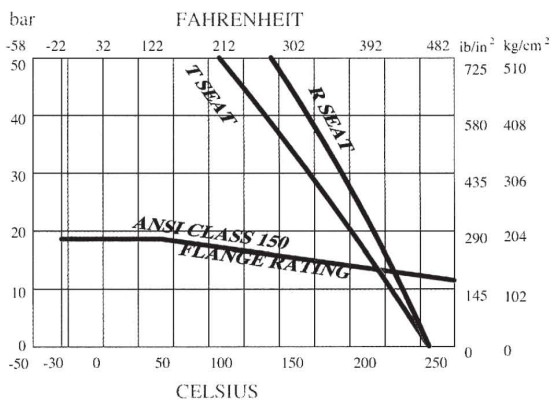
**3-PIECE FLANGED END BALL VALVE
ANSI-CLASS 150, DIN PN16/PN40
STAINLESS STEEL AISI 316 (DIN 1.4408)
CARBON STEEL S-20C (DIN 1.0619)**



FEATURES:

- * Face-to-face DIN 3202-FI, ANSI 16.1
- * Locking device, Lug body.
- * Blow-out proof stem
- * Investment casting body and cap
- * Material: ASTM-A351-CF8M, ASTM-A351 -CF8 & ASTM-A216-WCB
- * OPTION : Locking device

ITEM	PART	QTY	MATERIALS	
			F311	F311-C
1	BODY	1	ASTM-A351-CF8M	ASTM-A216-WCB
2	FLANGED END CAP	2	ASTM-A351-CF8M	ASTM-A216-WCB
3	BALL	1	ASTM-A351-CF8M	ASTM-A351-CF8M
4	BALL SEATS	2	15% R-PTFE	15% R-PTFE
5	JOINT GASKET	2	15% R-PTFE	15% R-PTFE
6	STEM	1	AISI 316	AISI 316
7	THRUST WASHER	1	15% R-PTFE	15% R-PTFE
8	STEM PACKING	2	15% R-PTFE	15% R-PTFE
9	GLAND NUT	1	AISI 304	AISI 304
10	HANDLE	1	AISI 304	AISI 304
11	STEM WASHER	1	AISI 304	AISI 304
12	STEM NUT	1	AISI 304	AISI 304
13	PLASTIC COVER	1	PLASTIC	PLASTIC
14	LOCK DEVICE	1	AISI 304	AISI 304
15	BOLT	4	AISI 304	AISI 304
16	SPRING WASHER	4	AISI 304	AISI 304
17	HEX NUT	4	AISI 304	AISI 304



DIMENSIONS

UNIT : mm

DN	L		DIN-PN16				DIN-PN40				ANSI-150LBS				T	H	W	Cv	Torque	KGS			
	FI	ANSI 150	D	K	G	B	I/N	D	K	G	B	I/N	D	K							G	B	I/N
15	130	108	95	65	45	14	14/4	95	65	45	16	14/4	89	60.5	35	11.2	16/4	2	79	160	11.2	54	2.10
20	150	117	105	75	58	16	14/4	105	75	58	18	14/4	98	70	43	12.7	16/4	2	84	160	21	78	3.10
25	160	127	115	85	68	16	14/4	115	85	68	18	14/4	108	79.5	51	14.3	16/4	2	100	185	35	106	4.10
32	180	140	140	100	78	16	18/4	140	100	78	18	18/4	117	89	64	15.9	16/4	2	105	185	57	150	6.00
40	200	165	150	110	88	16	18/4	150	110	88	18	18/4	127	98.5	73	17.5	16/4	3	115	220	80	200	7.40
50	230	178	165	125	102	18	18/4	165	125	102	20	18/4	152	120.5	92	19.1	19/4	3	124	220	150	280	10.50
65	290	190	185	145	122	18	18/4	185	145	122	22	18/8	178	139.5	105	22.3	19/4	3	165	305	265	510	16.40
80	310	203	200	160	138	20	18/8	200	160	138	24	18/8	190	152.5	127	23.9	19/4	3	177	305	415	780	24.00
100	350	229	220	180	158	20	18/8	235	190	162	24	22/8	229	190.5	157	23.9	19/8	3	203	330	780	1130	33.00