

Q41F-(16-64) C、P、R

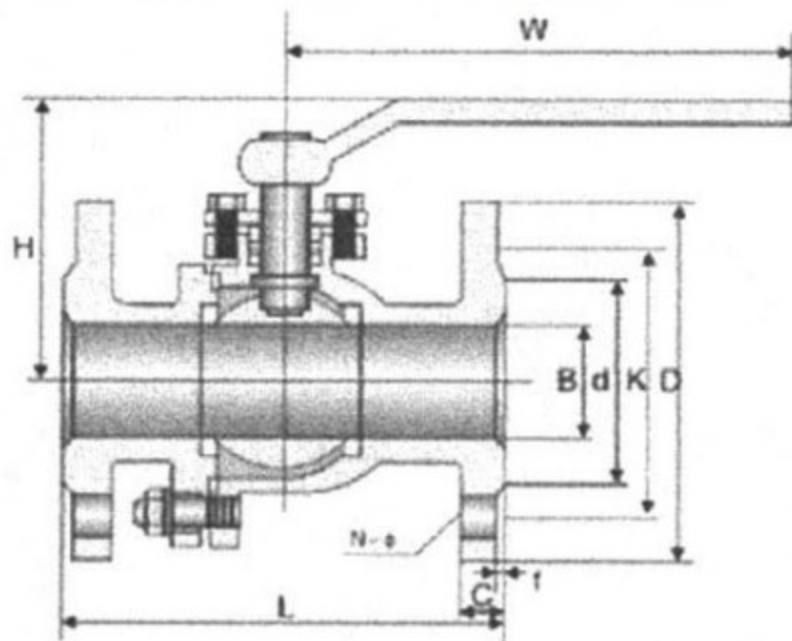
ball valve with flanged



Main connecting and overall dimensions (PN10/16)

unit:mm

Dia DN	B	L	H	Lo	Flange dimensions					
					D	C	K	d	f	n-φ
15	15	130	76	140	95	14	65	45	2	4-14
20	20	140	81	160	105	14	75	55	2	4-14
25	25	150	91	180	115	14	85	65	2	4-14
32	32	165	150	250	135	15	100	78	2	4-18
40	40	180	165	300	145	16	110	85	3	4-18
50	50	200	190	350	160	10	125	100	3	4-18
65	65	225	195	350	180	18	145	120	3	4-18
80	80	250	215	400	195	20	160	135	3	8-18
100	100	280	250	500	215	20	180	155	3	8-18
125	125	320	280	600	245	22	210	185	3	8-18
150	150	360	320	800	280	24	240	210	3	8-23
200	200	457	415	1000	335	26	295	265	3	12-23
250	250	533	410	1500	405	30	355	320	3	12-25
300	300	610	420	2000	460	30	410	375	4	12-25



Specifications

Nominal pressure	PN	1.6,2.5,4.0,6.4	Mpa
Strength testing pressure	PT	2.4,3.8,6.0,9.0	
Set testing pressure		0.6	
Seat testing pressure		1.8,2.8,4.4,7.1	
Applicable media	Q41F- 25C 40C	Q41F- 25P 40P	Q41F- 25R 40R
	Water.Oil.Steam		Nitric acid Acetic acid
Applicable temperature	-40~180 °C		

Materials of main parts

Description of Parts	Q41F-25,40	Q41F-25P,40P	Q41F-25R,40R
Body	WCB	ZG1Cr18Ni9Ti CF8	ZG1Cr18Ni12Mo2Ti CF8M
Ball	1Cr18Ni9Ti 304	1Cr18Ni9Ti 304	1Cr18Ni12Mo2Ti 316
Stem	1Cr18Ni9Ti 304	1Cr18Ni9Ti 304	1Cr18Ni12Mo2Ti 316
Seal ring	Polytetrafluoroethylene		
packing	Polytetrafluoroethylene		

FLOMATIC LTD.

44/16 Moo 3 Chimplee, Talingchan, Bangkok 10170 Thailand.

Tel. 02-884-1478, 880-4849, 448-8100

Fax : 02-884-1479, 880-4831