

2-PC BALL VALVE

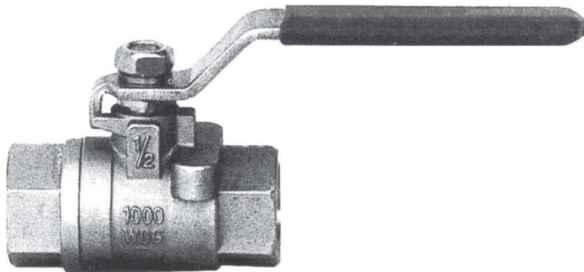
Model: BT-2F

Size: 1/4"~3" FULL BORE (1000PSI)

Threaded : BSPT. BSP. NPT. DIN 2999

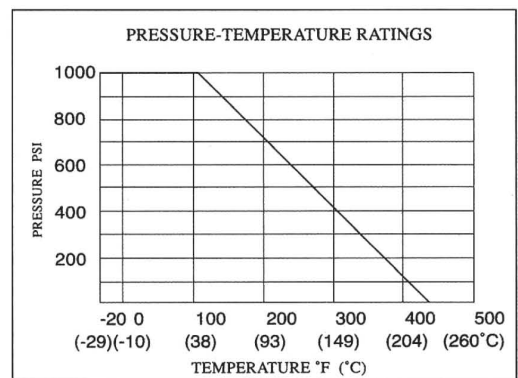
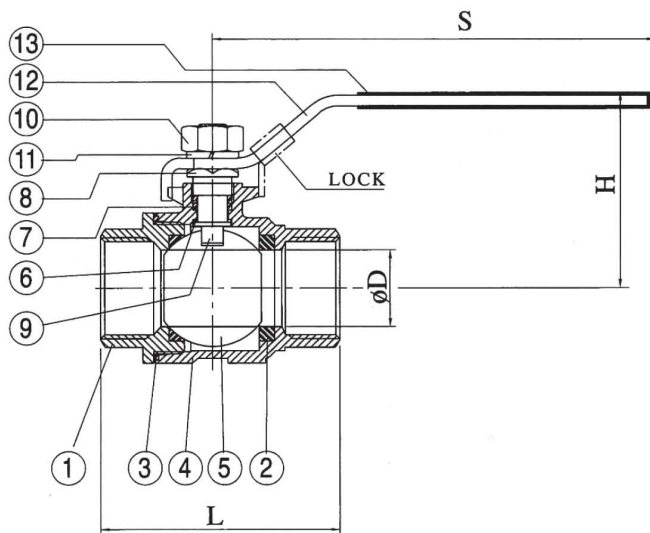
Materials : CF8M (SS316)

DIN 1.4408



FEATURES:

- * Investment Casting Body And Cap
- * Working Pressure 1000 PSI For W.O.G.
- * Adjustable Stem Packing
- * Pure Teflon Seals And Seats
- * Temperature Range: -60 to 450°F
- * Blow-Out Proof Stem
- * 100% Leakage Tested At 100 PSI Air Under Water
- * Hydrostatic Test Pressure: 1500PSI
- * Locking Device (Option)



MATERIAL LIST

NO.	PARTS NAME	MATERIAL	Q'TY
1	CAP	CF8M	1
2	BALL SEAT	PTFE	2
3	JOINT GASKET	PTFE	1
4	BODY	CF8M	1
5	BALL	316/304	1
6	THRUST WASHER	PTFE	1
7	STEM PACKING	PTFE	1
8	GLAND NUT	304	1
9	STEM	316	1
10	STEM NUT	304	1
11	SPRING WASHER	304	1
12	HANDLE	304	1
13	PLASTIC SLEEVE	PVC	1

DIMENSIONS

UNIT : mm

ITEM SIZE	1/4"	3/8"	1/2"	3/4"	1"	1 1/4"	1 1/2"	2"	2 1/2"	3"
ØD	11.6	11.6	15.0	20.0	25.0	32.0	38.0	50.0	64	76
L ≥ +2	54	54	64	74	87	101	110	132	165	187
S ±3	104	104	104	123	154	154	189	189	244	244
H ±3	50	50	52	62	75	81	90	98	139	148
W	10-24 UNC	10-24 UNC	10-24 UNC	10-24 UNC	10-24 UNC	1/4-20 UNC	1/4-20 UNC	1/4-20 UNC	1/4-20 UNC	1/4-20 UNC