

**Y-STRAINER (Screwed End)
CLASS 800 Y-STRAINER**

Model: YST-800

Size: 1/2"-2" (ANSI 800 PSI)



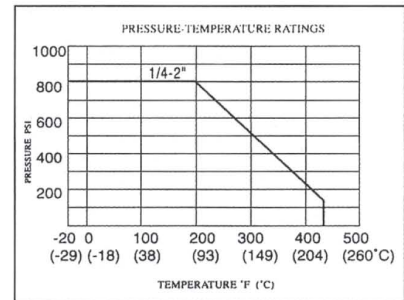
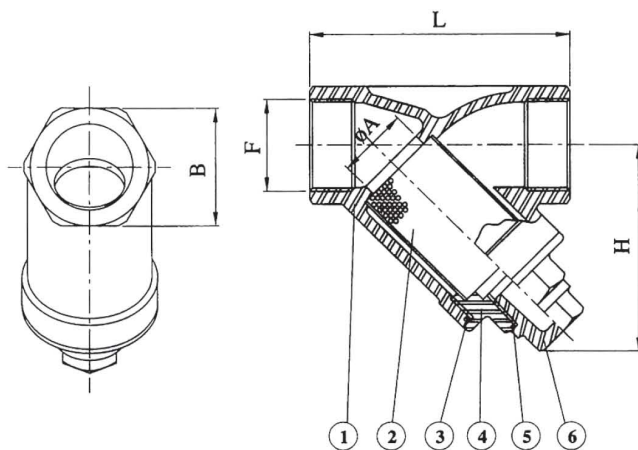
Standard:

* The End-To-End Threaded Conforms To BSP. NPT. BSPT. DIN 259, 2999

Materials: CF8M (SS316), DIN1.4408, SCS14, WCB Available

* Investment Casting Body 800 PSI

* Max Pressure 800 PSI, Maximum Working Temperature 230°C



DIMENSIONS

UNIT : mm

SIZE	1/4"	3/8"	1/2"	3/4"	1"	1-1/4"	1-1/2"	2"
A	10	12	15	20	25	32	40	50
B	24	24	26	33	41	49	56	69
H	51	51	51	60	72	77	87	103
L	65	65	65	80	90	105	120	140
F	2BSP or NPT	2BSP or NPT	2BSP or NPT	2BSP or NPT	2BSP or NPT	2BSP or NPT	2BSP or NPT	2BSP or NPT
W	2	2	2	2	2	2	2	2
d	1	1	1	1	1	1	1	1

MATERIAL LIST

NO.	PARTS NAME	MATERIAL	Q'TY
1	BODY	ASTEM A-351 GR.CF 8M	1
2	SCREEN	SUS 316	1
3	GASKET	TEFLON	1
4	BONNET	ASTEM A-351-CF 8M	1
5	O-RING	VITON	1
6	BLOW OFF	ASTEM A-351-CF 8M	1

