

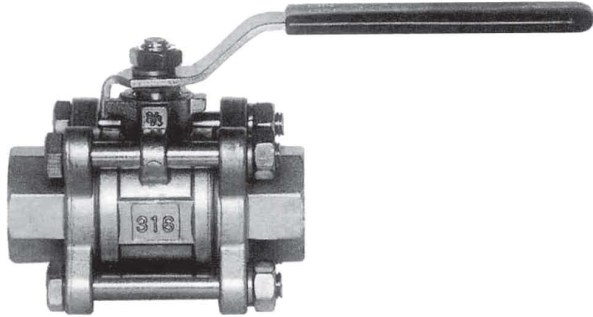
## 3-PC BALL VALVE

Model: BT-3F

Size: 1/4"~4" FULL BORE (1000PSI)

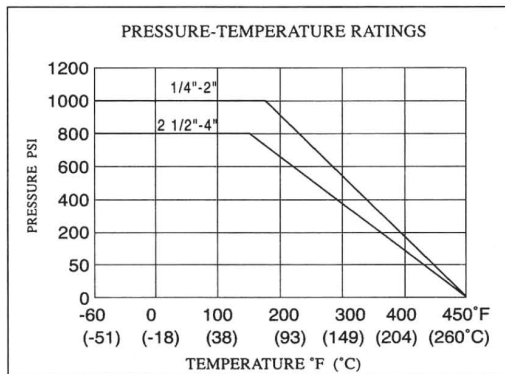
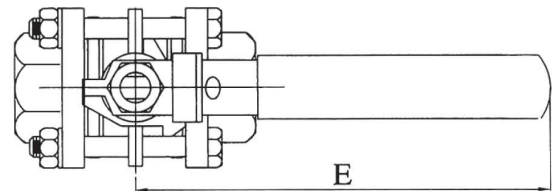
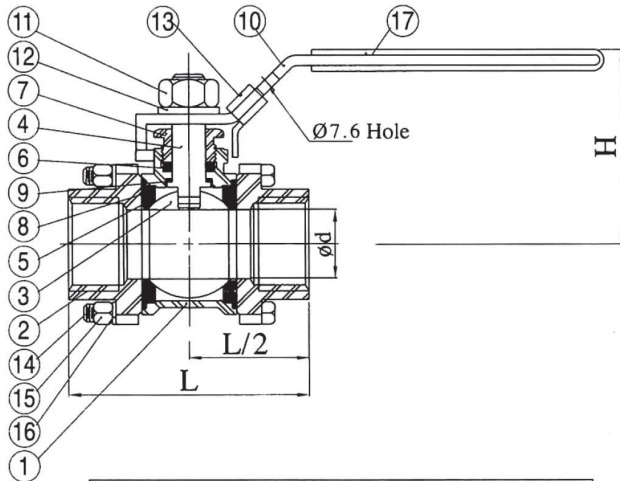
Threaded : BSPT. BSP. NPT. DIN 2999

Materials : CF8M (SS316), DIN 1.4408



### FEATURES:

- \* Investment Casting Body And Cap
- \* Working Pressure 1/4"~2" 1000 PSI, 2"~4" 800 PSI
- \* Adjustable Stem Packing
- \* Pure Teflon Seals And Seats
- \* Temperature Range: -60 to 450°F
- \* Blow-Out Proof Stem
- \* 100% Leakage Tested At 100 PSI Air Under Water
- \* Hydrostatic Test Pressure:
  - \* 1/4"~2" 1500 PSI, 2 1/2"~4" 1200 PSI
- \* Locking Device (Option)



### MATERIAL LIST

NO.	PARTS NAME	SPECIFICATION
1	BODY	CF8M
2	END CAP	CF8M
3	BALL	CF8M
4	STEM	316
5	BALL SEATS	PTFE
6	STEM PACKINGS	PTFE
7	GLAND	304
8	END SEAL	PTFE
9	THRUST WASHER	PTFE
10	HANDLE	304
11	HAND NUT	304
12	HAND WASHER	304
13	LOCKING DEVICE	304
14	BOLTS	304
15	BOLT NUTS	304
16	BOLT WASHERS	304
17	PLASTIC SLEEVE	PVC

### DIMENSIONS

UNIT : mm

SIZE	ø d	L	H	E	W(kg)
1/4"	11.6	60.5	52	100	0.35
3/8"	12.7	60.5	52	100	0.43
1/2"	15.0	65.5	58	100	0.52
3/4"	20.0	79.0	58	120	0.72
1"	25.0	86.0	70	148	1.02
1 1/4"	32.0	105	75	148	1.72
1 1/2"	38.0	119	86	164	2.42
2"	50.0	133	98	164	3.6
2 1/2"	65.0	163	130	248	7.52
3"	80.0	189	137	248	10.8
4"	100	228	180	290	19.5