

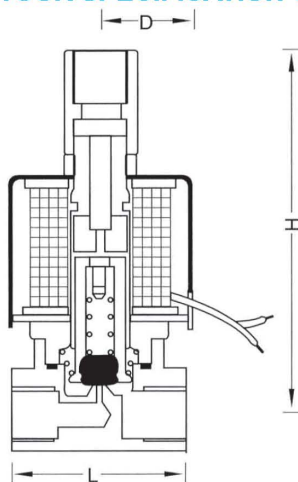
ZS 2/3-way Water [hot water]



APPEARANCE SIZE

Model	PIPE SIZE	CV value	MM(IN) Orifice	Medium Tem.	Operation Pressure Kg/cm <sup>2</sup>	Size mm		Material of body
						L	H	
ZS-2.5-3	1/8" 1/4"	0.23	2.5	-5 ~ 80℃	0 ~ 5	76	40.5	Brass SUS304

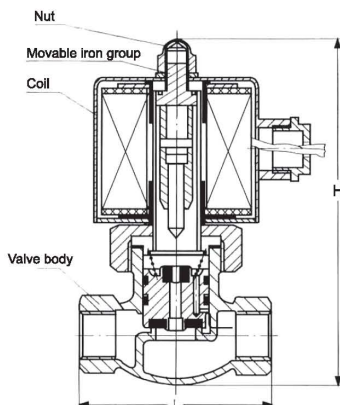
CONTOUR SPECIFICATION CHART



MATERIAL

Spare name	Use material
coil	Special copper H
solution group	Stainless steel
Spring	Stainless steel
movable iron group	Stainless steel
seal piece	FKM
seal circle	PTFE
valve body	Brass SUS304

2L 2/2-way Vapour Solenoid Valve



STRUCTURE SPECIFICATION PARAMETERS

Model	2L170-10	2L170-15	2L170-20	2L200-25	2L300-35	2L300-40	2L500-50
L mm	82			90.5	111		163
H mm	146			162	183		223
Use fluid	Steam、Air、Water						
operation way	Transmit style						
type	Normal close						
the diameter of flow	17			22	30		50
cv value	4.8			12	20		48
the diameter of connection	3/8"	1/2"	3/4"	1"	1 1/4"	1 1/2"	2"
the degree of use fluid stick	Under 20 CST						
using pressure	0.5~15Kg/cm <sup>2</sup>			1~15Kg/cm <sup>2</sup>			
work temperature	-5~180℃						
voltage	AC220V AC110V DC24V ±10%						
material of body	Brass						
material of seal	EPDM						

INSTALL & USE

Fluid flows along the Arrow on Valve. The Coil is vertical.