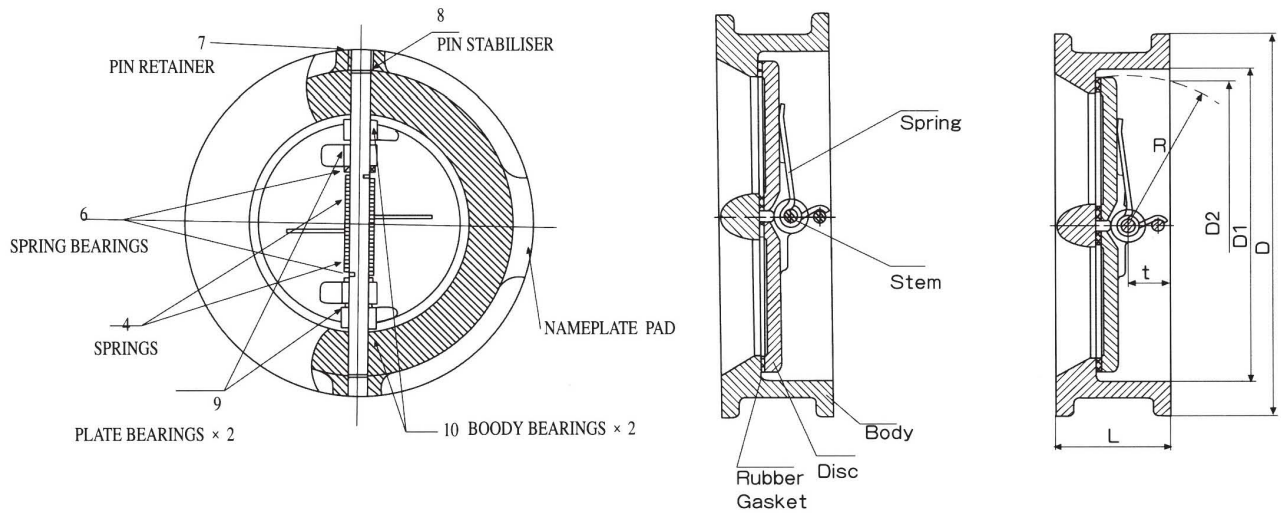


Overall & Connection Dimensions & Weight

Model: Check Valve (fig:C1000 & fig.C2000)



Overall & Structure Dimensions & Weight

Dimensions of Fig.C1000

Size	D2	D1	D	L	Weight(kg)
50	40	65	107	43	1.5
65	60	80	127	46	2.4
80	70	94	142	64	3.6
100	88	117	162	64	5.7
125	115	145	192	70	7.3
150	134	170	218	76	9.0
200	182	224	273	89	17
250	220	265	328	114	26
300	260	310	378	114	42
350	298	360	443	127	55
400	350	410	489	140	75
450	385	450	555	152	101
500	438	505	594	152	111
600	538	624	700	178	172

Overall & Structure Dimensions

Dimensions of Fig.C2000

Size	50	65	80	100	125	150	200	250	300	350	400	450	500	600
D	98	111	130	162	194	215	272	336	382	444	497	560	617	729
L	54	54	73	73	73	90	95	180	143	184	191	203	213	222