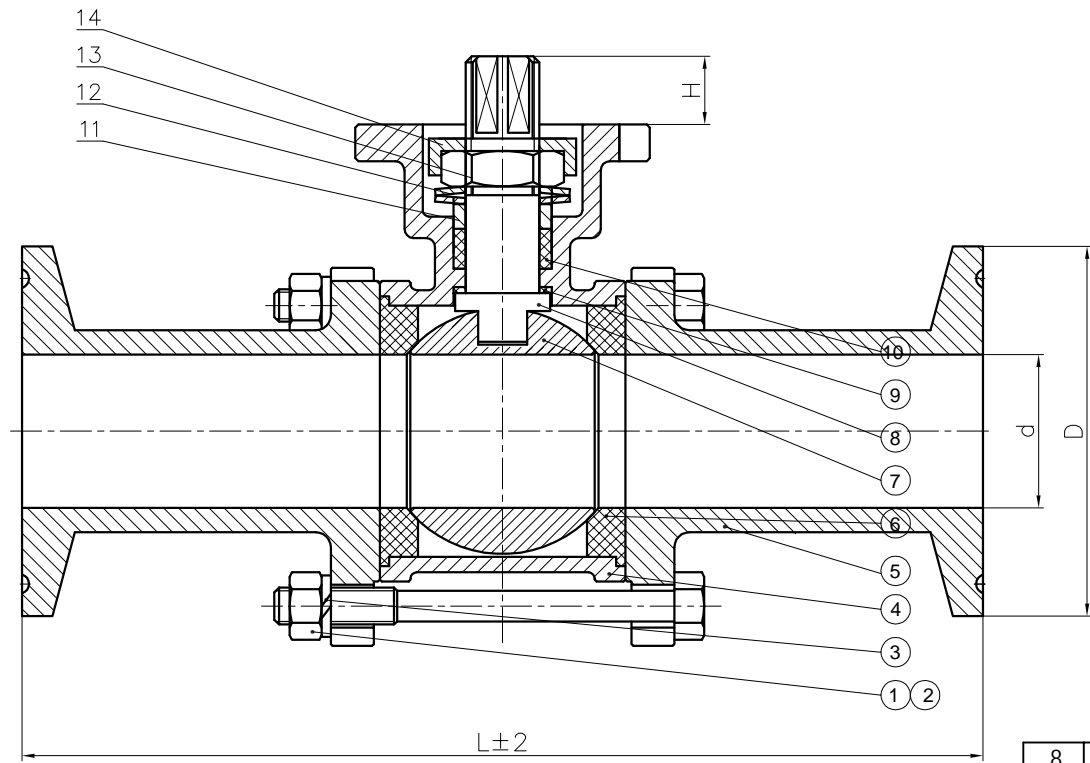


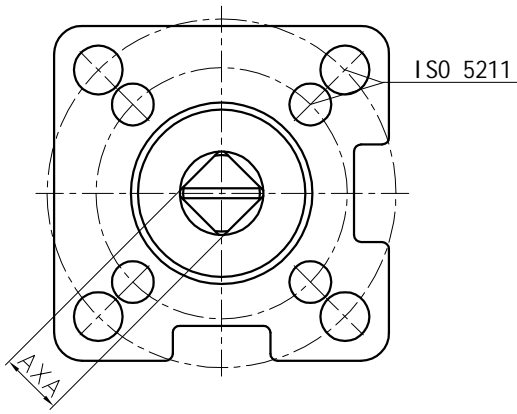
F04/F05	9~14	11X11	1	25	50.5	113
ISO 5211	H	AXA	NPS	d	D	L



Performance Specification		
Nominal Pressure	1000 WOG	
Test Pressure	Shell test	1.6
	MPa	
Gas test	0.6	
Working Temperature	-10~150 °C	
Medium: water oil & gas		

Technical Specification

- Design and manufacture refer to ASME B16.34;
- Face-to-face to MFG Standard;
- Ends Connection to MFG Standard;
- Inspection and test refer to API 598.

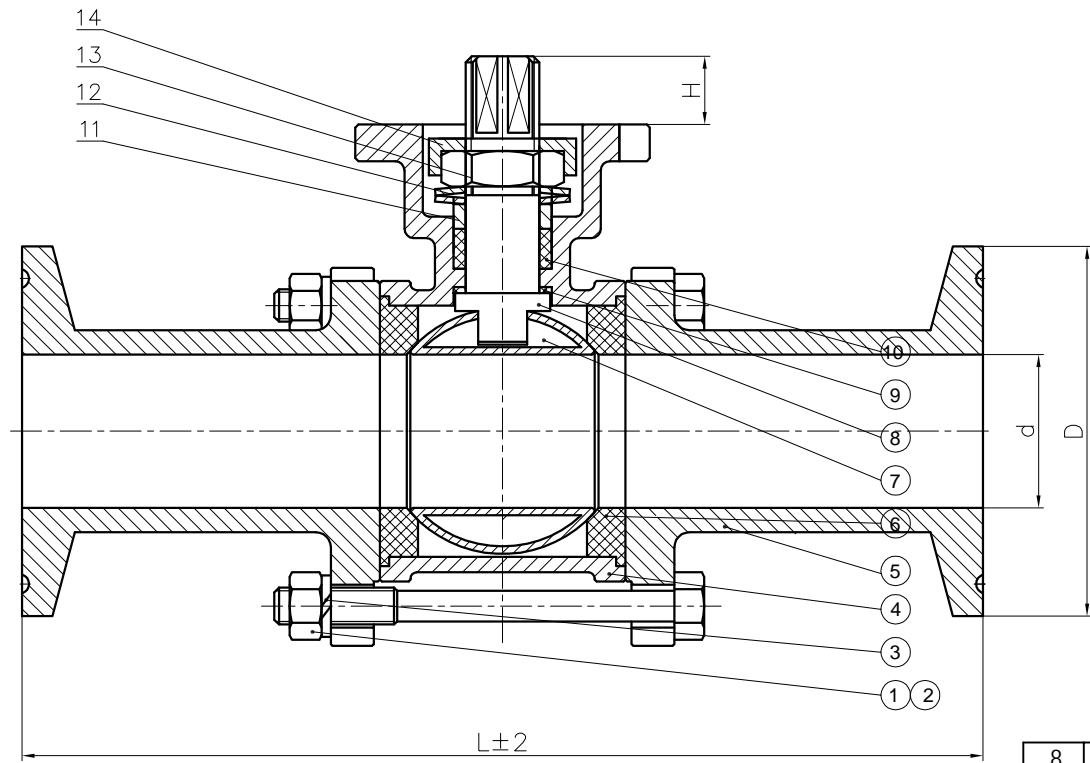


8	Stem	316			
7	Ball	316			
6	Seat	PTFE	14	Stop Plate	304
5	Cap	316	13	Nut	304
4	Body	316	12	Spring	304
3	Gasket	304	11	Gland	316
2	Nut	304	10	Packing	PTFE
1	Bolt	304	9	Gasket	PTFE
NO.	PART NAME	MATERIAL	NO.	PART NAME	MATERIAL

					1000WOG		Q11F-1000WOG-00	
					NPS 1			
					Ball Valve			
MARK	QTY	FILE NO.	SIGN	DATE			DRAW MARK WT.	
DESIGN			STANDARD					
CHECK							DRAW REV. 00	
TECHNOLOGY								

CHECKED BY
 PRINTED BY
 OLD DRAWING NO.
 BASED DRAWING NO.
 SIGNATURE
 DATE

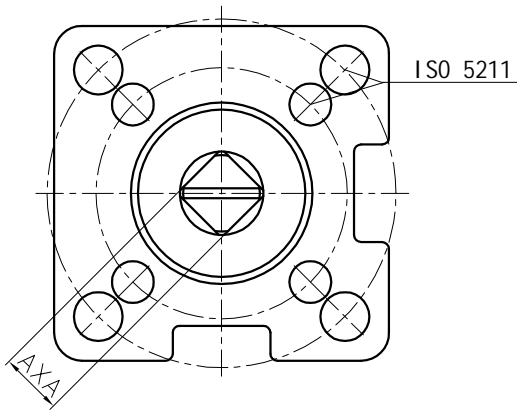
F05/F07	14~18	14X14	2	49	78	156
F05/F07	14~18	14X14	1 1/2	38	64	141
ISO 5211	H	AXA	NPS	d	D	L



Performance Specification		
Nominal Pressure	1000 WOG	
Test Pressure	Shell test	1.6
	Gas test	0.6
Working Temperature	-10~150 °C	
Medium: water oil & gas		

Technical Specification

1. Design and manufacture refer to ASME B16.34;
2. Face-to-face to MFG Standard;
3. Ends Connection to MFG Standard;
4. Inspection and test refer to API 598.



8	Stem	316			
7	Ball	316			
6	Seat	PTFE	14	Stop Plate	304
5	Cap	316	13	Nut	304
4	Body	316	12	Spring	304
3	Gasket	304	11	Gland	316
2	Nut	304	10	Packing	PTFE
1	Bolt	304	9	Gasket	PTFE
NO.	PART NAME	MATERIAL	NO.	PART NAME	MATERIAL

					1000WOG		Q11F-1000WOG-00	
					NPS 1 1/2~2		DRAW MARK	
					Ball Valve		WT.	
MARK	QTY	FILE NO.	SIGN	DATE			DRAW REV. 00	
DESIGN			STANDARD					
CHECK								
TECHNOLOGY								

CHECKED BY
PRINTED BY
OLD DRAWING NO.
BASED DRAWING NO.
SIGNATURE
DATE