

**Class 150~300 floating ball valve**

Bolted bonnet, Two-piece Body, Floating Ball

Full or Reduced bore, Blowout Proof Stem

Fire safe and Anti static

Stainless steel ball

ASTM A216 WCB, A351 CF8, A351 CF8M,  
A351 CF3, A351 CF3M, A351 CN7M

**Standards compliance**

Design and Manufacture: API 608, API 6D, BS5351

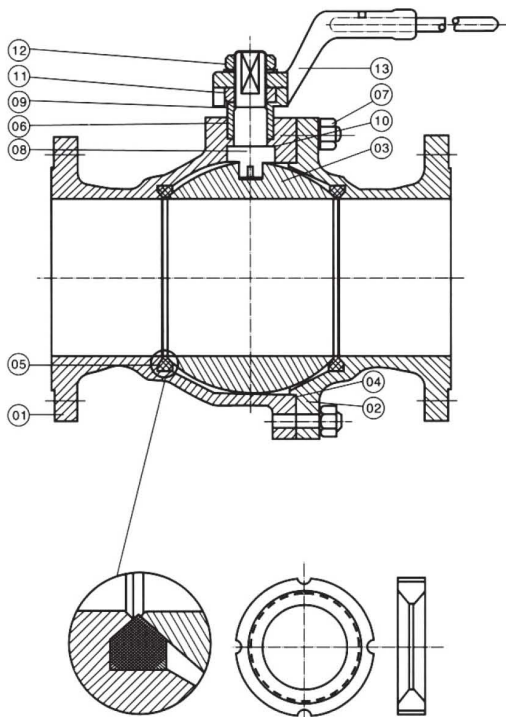
Face to face(end to end):ANSI B16.10,API 6D

Flanged connection:2"~24" to ANSI B16.5

Fire-safe: API 607, API6FA

Butt welded end: ANSI B16.25

Test and inspection: API 598,API 6D



Materials		
NO.	Part name	Material
13	Handle	Carbon steel
12	Lock nut	Carbon steel
11	Gland nut	Carbon steel
10	Thrust washer	PTFE/NYLON
09	Gland bush	Stainless steel
08	Stem	Stainless steel

NO.	Part name	WCB	LCB
07	Stud and nut	A193 Gr B7/A194 Gr 2H	A320 Gr L7/A194 Gr 4
06	Packing	Graphite/ptfe	Graphite/ptfe
05	Ball seat	PTFE/RPTFE/NYLON	SPTFE/RPTFE/NYLON
04	Gasket	Grafoil/spiral wound	Grafoil/spiral wound
03	Ball	A182 F304	A182 F304
02	R-body	A216 Gr WCB	A352 Gr LCB
01	L-body	A216 Gr WCB	A352 Gr LCB

NO.	Part name	CF8	CF8M
07	Stud and nut	A193 Gr B8/A194 Gr 8	A193 Gr B8M/A194 Gr 8M
06	Packing	Graphite/ptfe	Graphite/ptfe
05	Ball seat	PTFE/RPTFE/NYLON	PTFE/RPTFE/NYLON
04	Gasket	Grafoil/spiral wound	Grafoil/spiral wound
03	Ball	A182 F304	A182 F316
02	R-body	A351 Gr CF8	A351 Gr CF8M
01	L-body	A351 Gr Cf8	A351 Gr CF8M