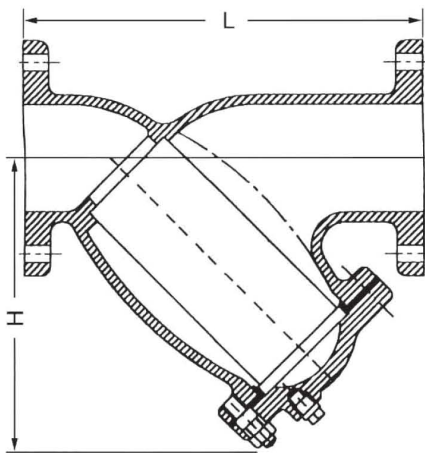


Y Strainer
DIN3202-F1 PN6 / PN16



Components

1	Body	Cast iron to GG25 or Ductile iron to GGG50
2	Cover	Cast iron to GG25 or Ductile iron to GGG50
3	Screen	Stainless steel
4	Gasket	Synthetic Fiber
5	Plug	Cast iron to GG25 or Ductile iron to GGG50
6	Bolt	Carbon Steel



Application

- 1 Design according to DIN3202 – F1, Flanged and face to DIN2531 PN6 & DIN2533 PN16. Flange can be according to BS4504 or ANSI B16. 10.
- 2 For water and neutral liquids

Test

Working Pressure		6 bars / 16 bars
Test Pressure	Shell	9 bars / 24 bars
	Seat	6.6 bars / 17.6 bars

Dimensions

Unit : mm

DN	L	H	DIN3202 – F1 PN6				DIN3202 – F1 PN16			
			Flange Dia.	No. of Hole	Dia. of Hole	P. C. D.	Flange Dia.	No. of Hole	Dia. of Hole	P. C. D.
50	230	120	140	4	14	110	165	4	18	125
65	290	140	160	4	14	130	185	4	18	145
80	310	170	190	4	18	150	200	8	18	160
100	350	220	210	4	18	170	220	8	18	180
125	400	260	240	8	18	200	250	8	18	210
150	480	300	265	8	18	225	285	8	22	240
200	600	360	320	8	18	280	340	12	22	295
250	730	440	375	12	18	335	405	12	26	355
300	850	525	440	12	22	395	460	12	26	410