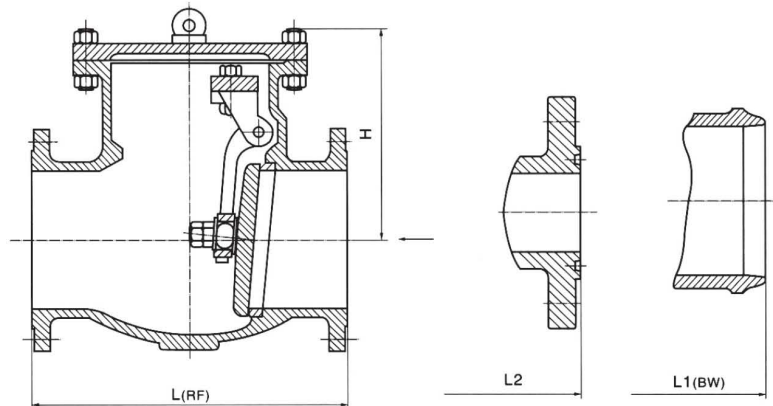


Class 150~1500 swing check valve



Dimensions															
Class 150															
Size	inch	2	2½	3	4	5	6	8	10	12	14	16	18	20	24
L,L1-RF.BW	mm	203	216	214	292	330	356	495	622	699	787	864	978	978	1295
L2-RTJ	mm	216	229	254	305	343	368	508	635	717	800	876	991	991	1308
H	mm	155	190	200	225	245	260	350	390	410	435	530	570	625	675
WT.(approx)	Kg	16	25	34	46	75	89	120	220	337	471	575	788	916	1275

Dimensions															
Class 300															
Size	inch	2	2½	3	4	5	6	8	10	12	14	16	18	20	24
L,L1-RF.BW	mm	267	292	318	355	400	440	533	622	711	838	863	977	1016	1346
L2-RTJ	mm	283	308	333	371	416	460	549	638	727	854	879	994	1036	1368
H	mm	180	200	225	240	275	310	370	410	440	500	545	605	675	785
WT.(approx)	Kg	26	32	53	73	110	157	234	384	450	650	800	970	1350	2210

Dimensions														
Class 600														
Size	inch	2	2½	3	4	5	6	8	10	12	14	16	18	20
L,L1-RF.BW	mm	292	330	356	432	508	559	660	787	838	889	991	1092	1194
L2-RTJ	mm	295	333	359	435	511	562	664	791	841	892	994	1095	1200
H	mm	190	215	250	260	310	350	420	490	525	580	630	690	810
WT.(approx)	Kg	33	49	62	95	120	195	360	465	725	875	1075	1475	1900

Dimensions											
Class 900											
Size	inch	2	2½	3	4	5	6	8	10	12	14
L,L1-RF.BW	mm	368	419	381	457	559	610	737	838	965	1029
L2-RTJ	mm	371	422	384	460	562	613	740	841	968	1038
H	mm	195	235	260	275	320	370	435	520	530	580
WT.(approx)	Kg	55	70	90	135	165	295	525	900	1075	1225

Gear operation suggested. Dimensions on request. Abbreviation: SP-Short pattern.